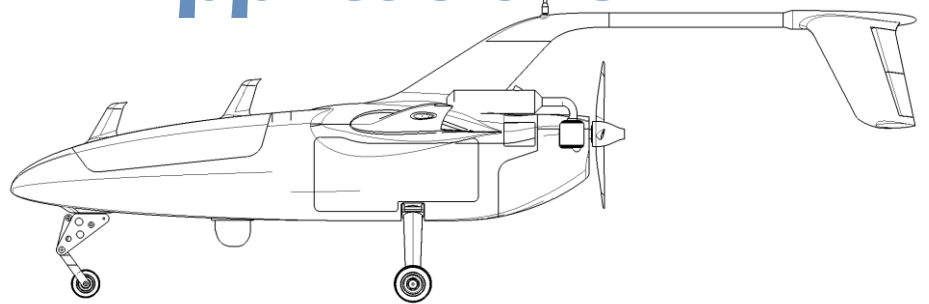


UAV Systems

For Civil Applications



Aerial Survey
Forestry & Agriculture
Environmental Monitoring
Coastal & Ocean Observation
Wild Life Tracking & Monitoring
Natural Disaster Assessments
Inspection & Monitoring
Media & Sports



Civi-UAVs offer complete system including

- Unmanned Aerial Vehicle
- Ground Communication Station (GCS)
- Auto-Tracking Antenna System
- Aircraft Control and Monitoring Software
- Field Diagnostics and Test Equipment
- Ground Support Equipment
- Stabilized Daylight/IR Camera Platform



www.civi-uavs.com

civi
UAVs

Our Products

Condor - Medium Range UAV



- Operational range 200+ km
- 8~10 hrs endurance
- Maximum ceiling of 16,000 ft
- Fully autonomous operation with auto navigation
- Pre-planned survey capability with run time survey alteration included
- Auto Take-off and Computer assisted internal landing

Pelican - Short Range UAV

- Operational Range 100 km
- Endurance: 6 hrs
- Maximum ceiling 12,000 ft
- Conventional wheel landing with provision of emergency parachute system
- All composite carbon and glass epoxy reinforced structure
- Operated by a 2 console GCS using custom designed software with auto-tracking antenna system



Optimus - Close Range UAV



- Close Range (25 – 50 Km)
- Long Endurance (8-10 Hours)
- Day/Night Capable
- Gyro-Stabilized Day/Night Payload
- Portable Ground Control/Monitoring Station
- Take-off/Landing by Internal Pilot

RotoVigil - Rotary Wing Platform

- Range: 1 - 2 km
- Endurance: 15~20 min
- Surveillance in Urban Environment
- Monitoring & Search Missions
- Day and Night flight operations
- Low visual and acoustic signatures
- Color/IR camera on Gyro stabilized gimbal
- Portable Multi-screen Ground Control Station
- Vertical Take-off and Landing



www.civi-uavs.com

civi
UAVs